

KMW FRONT END Loaders

1760HL

*Designed for Higher Lift
on 110 to 190 hp Tractors*

**Hard Working
& Rugged**

JUST LIKE YOU!

**14' 8"
Lift Height**

**Add features and
attachments as needed:**

- 2-way Hydraulic Self Leveling
 - > Less wear points
 - > Improved rollback angle
 - > Low profile
- Single-lever Hydraulic Disconnect
- 2 & 3-spool Loader Valves with Solenoid-operated 3rd function
- Solenoid-operated Comfort Drive
- Attachments
 - > Bale Probe
 - > 4-tine Grapple
 - > Pallet Fork
 - > Grapple-ready Buckets
 - > Standard Buckets
 - > Grill Guard

Low profile design engineered for today's tractors

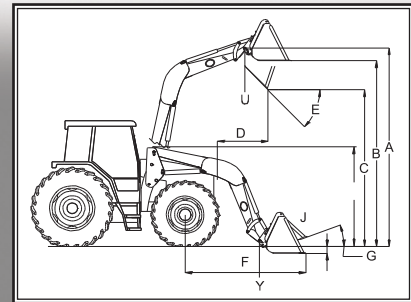
KMW Ltd.

198 N. Highway 281 ■ Great Bend, Kansas 67530

620-793-6725 ■ Fax 620-793-6737

Toll-free 855-456-9583

www.kmwloaders.com



A Maximum Lift Height to Pivot Point	14' 8"
C Clearance with Bucket Fully Dumped	12' 5"
D Reach at Maximum Lift Height	3' 9"
E Maximum Dump Angle	36°
F Reach with Bucket on Ground	9' 2"
G Maximum Rollback Angle	32°
H Digging Depth (Estimated)	3.00"
U Lift Capacity to Maximum Height at Pivot Point	5,600#
Y Breakout Force at Ground Line at Pivot Point	7,950#
Raising Time Ground Line to Maximum Lift Height	6.8 sec.
Hydraulic Pressure	2,950 psi

Specifications based on ASAE standards S301.3 and furnished for general information only as they can vary with different tractor models. Specifications are subject to change without notice, and without liability therefore.

1760HL FEATURES

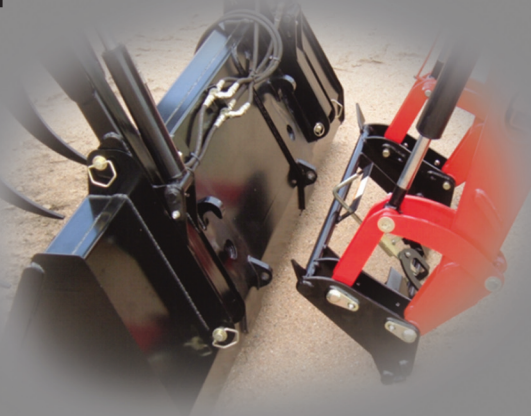
- Quick, easy mounting
Position parking stands, pull 2 pins, and park
- Mounting Bracket design enhances visibility when loader is parked
- Grease fittings conveniently located for quick lubrication
- Powder coat paint matches tractor color
- High strength materials utilized throughout
- Replaceable steel wear bushings located at critical pivot points
- Large radius side plates
- Heavy-duty attachment linkages increase dump & rollback angles
- Hydraulic oil supply hoses routed inside boom arm improves appearance, increases visibility & protects hydraulic components

Optional Comfort Drive Features

- Reduces tractor and loader strains up to 33%
- Solenoid operation -- turn it off and on with the flip of a switch from the comfort of your cab
- Improves operator comfort
- Extends machine life
- Increases production

Euro-style Quick Attach

- One lever attaching and detaching



COMPETITION

KMW

KMW GETS THE STRESS OUT!

The less red you see...the less stress there is. This Finite Element Analysis confirms that KMW Mounting Kits are designed to maximize strength and loader performance compared to the competition. That's another reason KMW loaders are more rugged and last longer.